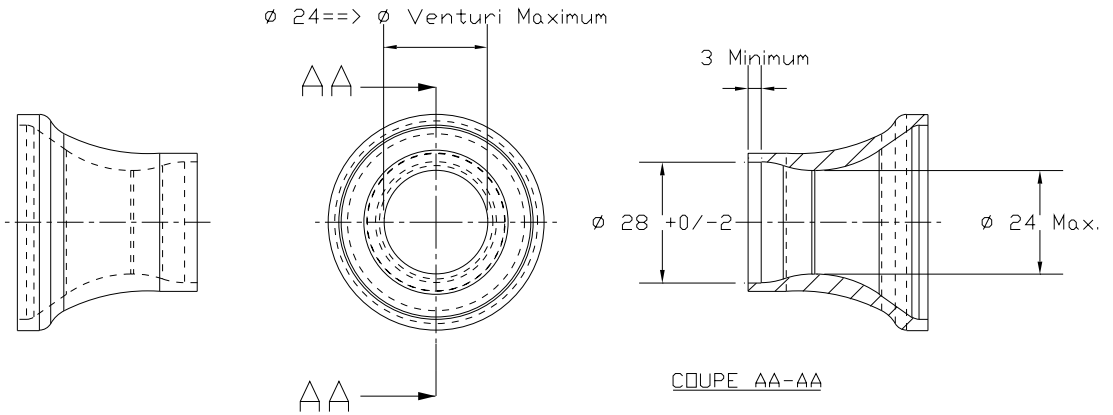


DESSIN TECHNIQUE N°3

Carburateur

TECHNICAL DRAWING No. 3

Carburettor



Cotes en/Dimensions in **mm**