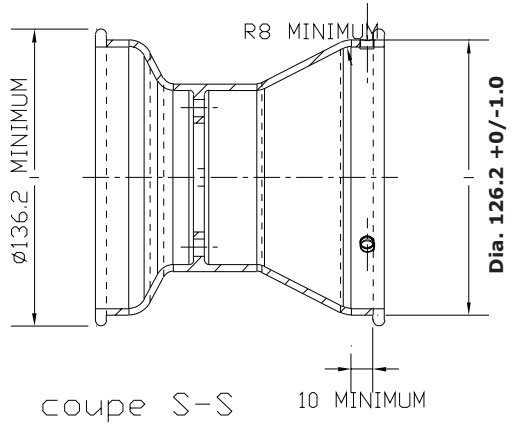
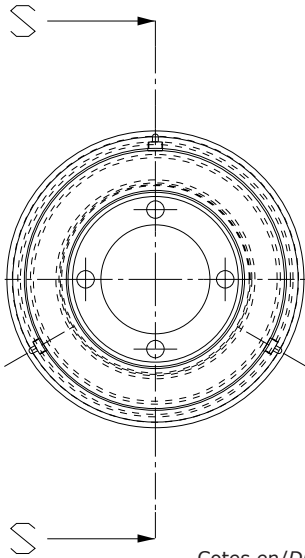


DESSIN TECHNIQUE N°4

Jante 5"

TECHNICAL DRAWING No. 4

5" Rim



Cotes en/Dimensions in mm